

Order description
PD-C180i KNX ECO

Order number
EP10426452

EAN code
4015120426452



ESYLUX

Short description:

- **KNX** Presence detector with **180° field of detection** for wall mounting
- **Range of up to 16 m** in diameter at a recommended installation height of 1.1 - 2.2 m
- For use in KNX (EIB), TP (twisted pair) bus system in conjunction with other KNX components
- Parameter and function settings via ETS (Engineering Tool Software)

Technical data:

Bus voltage	24 V DC via KNX system device
Power consumption	10 mA
Field of detection	180° horizontal, 60° vertical
Range	approx. Ø 16 m at an installation height of 1.1 m
Setting options	remotely with ETS-Software, temporarily electronically by infrared Mobil-RC-M (order separately)
Lightchannel	c1 + c2 switching/dimming, c2 offset from c1 (-50 % to +50 %)
Switch input 1	yes
Time setting	impulse/approx. 15 sec. - 30 mins.
Light value	approx. 5 - 2000 Lux
KNX input	manual light control, block objects, slave
KNX output	presence, status, light value
Slave input	yes
Permissible ambient temperature	5 °C...+35 °C
Protection type	IP 20 or IP 44 depending on cover (order separately)
Installation type	wall mounting
Housing material	UV stabilised polycarbonate
Approx. measurements	height 63 mm x width 70 mm x length 70 mm
Installation dimension	Installation depth 34 mm, Installation hole size Ø 61 mm

Accessories

Note: order cover and remote control separately.

Note: the product database and application description are available to download for free at www.esylux.com.

Order description
PD-C180i KNX ECO

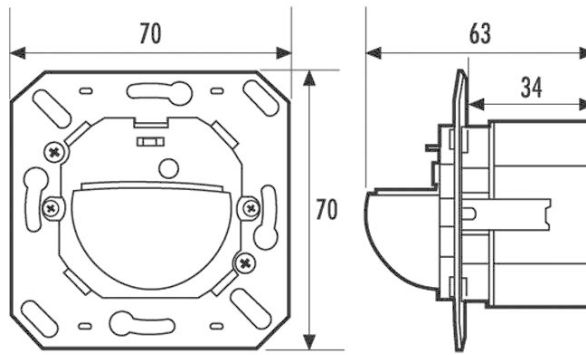
Order number
EP10426452

EAN code
4015120426452



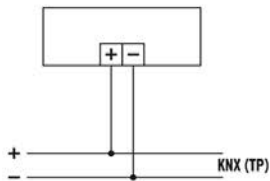
EP10426452

Dimensions in mm



Presence detector KNX

Presence detector KNX



PD-C360i/8 mini KNX, PD-C360i/12 mini KNX

