

FEATURES

- 4 connections configurable as:
 - Binary input.
 - Led output.
 - Solid-state switch control output.
- Total data saving on power failure.
- Integrated KNX BCU.
- Device to be mounted inside distribution, junction or wall back boxes.
- Reduced size: 39 x 39 x 10.5mm.
- CE directives compliant.

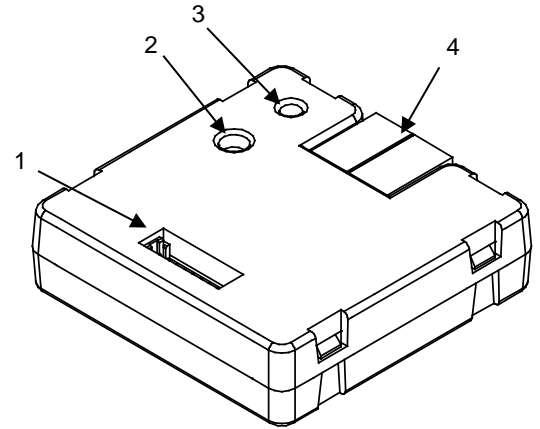


Figure 1. BIN 4X

1. Binary inputs / Outputs	2. Programming button	3. Programming LED	4. KNX connector
----------------------------	-----------------------	--------------------	------------------

Programming button: short button press to set programming mode. If this button is held while plugging the device into the KNX bus, it goes into safe mode.

Programming LED: programming mode indicator (red). When the device enters in safe mode, it blinks (red) every half second. During start up (after reset or power failure) and if the device is not in safe mode, indicator makes a red flash.

GENERAL SYSTEM SPECIFICATIONS				
CONCEPT		DESCRIPTION		
Type of device		Electric operation control device		
KNX supply	Voltage (typical)	29VDC SELV		
	Voltage range	21...31VDC		
	Maximum consumption	Voltage	mA	mW
		29VDC (typical)	11.7	339.3
24VDC ⁽¹⁾	15	360		
Bus connection		Typical bus connector TP1; 0.80mm ² section		
External power supply		Not required		
Ambient temperature		from 0°C to +55°C		
Storage temperature		from -20°C to +55°C		
Ambient humidity		5 to 95% RH (no condensation)		
Storage humidity (relative)		5 to 95% RH (no condensation)		
Complementary characteristics		Class B		
Safety class		III		
Operation type		Continuous operation		
Device action type		Type 1		
Electrical stress period		Long		
Degree of protection		IP20, clean environment		
Assembly		Device to be mounted inside distribution, junction or wall back boxes.		
Minimum clearances		Not required		
KNX bus failure response		Data saving according to parameterization		
Response when restarting KNX bus		Data recovery according to parameterization		
Operation indication		Programming LED indicates programming mode (red)		
Weight		18g		
PCB CTI index		175V		
Housing material		PC FR V0 halogen free		

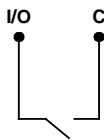
⁽¹⁾ Maximum consumption in the worst case scenario (KNX Fan-In model)

BINARY INPUTS OR LED OUTPUTS SPECIFICATIONS AND CONNECTIONS	
CONCEPT	DESCRIPTION
Number of inputs/outputs	4
Number of inputs per common	1
Input/output voltage	Adapted to the load up to a maximum value of 12VDC for each input/output
Input/output current	2.0mA
Switching type	Dry voltage contacts between input and common
Maximum cable length	30m (@ 1mm ²)
Connection method	8-wire connector with cable (included)
Cable cross-section	0.08 mm ² (28AWG) – 30cm length
Response time	Max 10ms

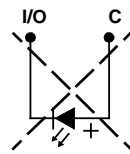
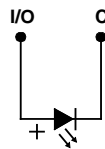
CONNECTION DIAGRAM

Any combination of the next devices is allowed in the different inputs/outputs, although the simultaneous connection of a switch and outputs in the same port is not allowed:

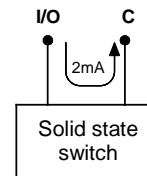
Binary input



LED Output



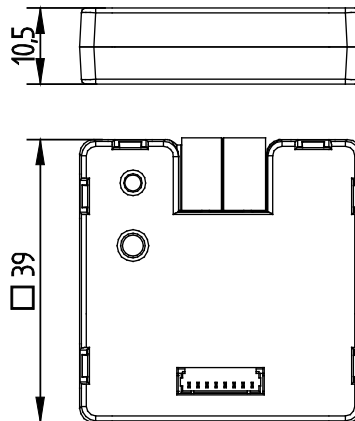
Solid state switch control output



✓ Right load wiring

✗ Wrong load wiring

MAIN DIMENSIONS (in mm)



SAFETY INSTRUCTIONS

- Installation should only be performed by qualified professionals according to the laws and regulations applicable in each country.
- Do not connect the mains voltage nor any other external voltage to any point of the KNX bus; it would represent a risk for the entire KNX system. The facility must have enough insulation between the mains (or auxiliary) voltage and the KNX bus or the wires of other accessories, in case of being installed.
- Once the device is installed (in the panel or box), it must not be accessible from outside.
- Keep the device away from water and do not cover it with clothes, paper or any other material while in use.
- The WEEE logo means that this device contains electronic parts and it must be properly disposed of by following the instructions at <http://zennio.com/wEEE-regulation>.