

**MDT Analog In-/Output 2-fold, flush mounted**  
**MDT Analog In-/Output 4-fold, MDRC**

Version		
AIO-0210V.01	Analog In-/Output 2-fold	Flush mounted, input voltage 0-10V/2-10V or current loop 0-20mA/4-20mA output voltage 0-10V
AIO-0410V.01	Analog In-/Output 4-fold	2SU MDRC input voltage 0-10V/2-10V or current loop 0-20mA/4-20mA output voltage 0-10V

The MDT Analog In-/Output is suitable to control devices with 0-10V inputs and to catch 0-20mA/0-10V measurement data. All channels are galvanically isolated from the KNX bus and can be configured independently from each other as input or output.

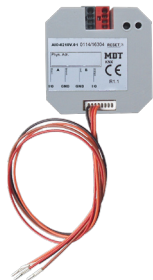
The input voltage range is from 0-10V or from 2-10V, optionally the inputs can be operated as current loop with 0-20mA or 4-20mA. Each input can be parameterized individually with the ETS. Min/max, threshold and traffic light functions are available, the conversation of measuring unit and DPT can be parameterized.

The output voltage range is from 0-10V and can be controlled via 1Byte, 2Byte or 1Bit objects. If the control value fails the emergency mode starts automatically. Each output has a day/night function to limit the control value.

The MDT Analog In-/Output is available in two types. As modular installation device or flush mounted device for fixed installations in dry rooms.

For project design and commissioning of the MDT Analog In-/Output it is recommended to use the ETS4/5. Please download the application software at [www.mdt.de/Downloads.html](http://www.mdt.de/Downloads.html)

AIO-0210V.01



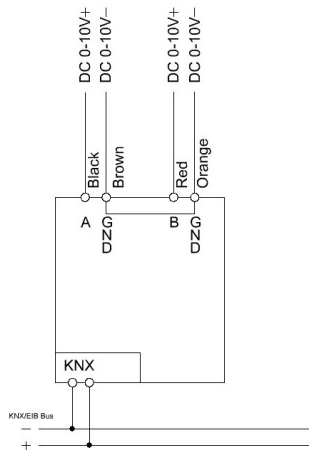
AIO-0410V.01



- Production in Germany, certified according to ISO 9001
- Each channel can be configured independently (In-/output)
- In/outputs are galvanically isolated from the bus
- In/outputs are galvanically connected together
- Voltage for output operation is generated inside the actuator
- No external power supply required
- Input operation 0-10V/2-10V or 0-20mA/4-20mA (switchable)
  - Conversation of measuring unit and DPT can be parameterized
  - Min/max function, wire breakage detection
  - Threshold and traffic light function
- Output functions 0-10V:
  - Control by 1Byte, 2Byte float or 1Bit objects
  - Day/night function to limit control value
  - Emergency mode if given value fails
- Flush mounted in socket
- Dimensions (W x H x D): 41mm x 41mm x 22mm
- Integrated bus coupling unit
- 3 years warranty

Technical data	AIO-0210V.01	AIO-0410V.01	
Number of channels	2	4	
<b>Inputs</b>			
Input voltage	0-10V 2-10V	0-10V 2-10V	
Internal resistance	130kΩ	130kΩ	
Range of current loop	0-20mA 4-20mA	0-20mA 4-20mA	
Resistance max.	266Ω	266Ω	
<b>Outputs</b>			
output voltage	0-10V	0-10V	
Output current max.	2mA	2mA	
Load resistance min	5kΩ	5kΩ	
<b>Permitted wire gauge</b>			
KNX busconnection terminal	0,8mm Ø, solid core	0,8mm Ø, solid core	
<b>Power supply</b>	KNX Bus	KNX Bus	
<b>Power consumption KNX bus typ.</b>	<0,3W	<0,3W	
<b>Operation temperature range</b>	0 bis + 40°C	0 bis + 40°C	
<b>Enclosure</b>	IP 20	IP 20	
<b>Dimensions MDRC (Space Units)</b>	--	2TE	
<b>Dimensions UP (W x H x D)</b>	41mm x 41mm x 24mm	--	

Exemplary circuit diagram AIO-0210V.01



Exemplary circuit diagram AIO-0410V.01

